

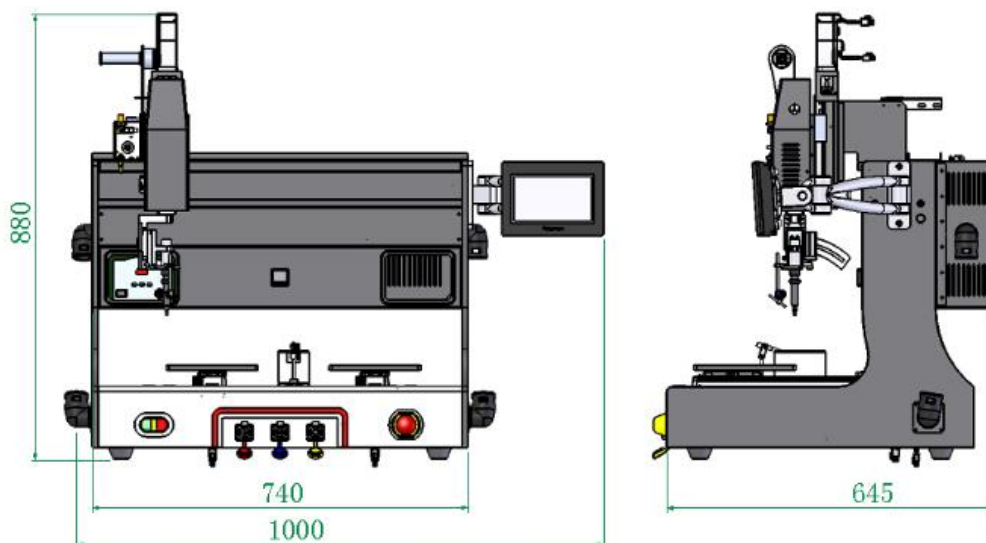
For Any Technical Questions, Please Contact at info@nodesus.com

Product Name: DW Soldering Machine

Part Number: Single Platform Soldering Machine NIC-ASO-331N



Dual Platform Soldering Machine NIC-ASO-5331N



For Any Technical Questions, Please Contact at
info@nodesus.com

Product Description:

Features:

1. Independently developed multi-axis platform, loaded into soldering machine control system. The interface is easy to use;
2. Servo motor with precision ball screw, high-speed smooth movement. Operation accuracy can reach $\pm 0.02\text{mm}$;
3. High frequency intelligent temperature control system is adopted to improve solder stability;
4. Large capacity memory can be set up more than 100 groups of solder programs, each program can hold 999 solder joints;
5. Unique iron head positioning mechanism, no need to adjust the coordinate after changing the iron head;
6. Imported cutting tin components, effectively reduce tin explosion in the process of soldering, tin feeding accuracy can reach $\pm 0.1\text{mm}$; With tin shortage, tin blocking alarm function;
7. With the alarm function of gas supply interruption or insufficient pressure;

For Any Technical Questions, Please Contact at
info@nodesus.com

Product Specification:

Dimensions: L1000*W645*H880 (mm);

Working stroke: X*Y*Z*R=300*300*100*360 ° ;

Axis speed: X/Y/Z axis 0-500mm/s, R axis 360 ° /s;

Positioning accuracy: X/Y/Z axis ± 0.02 mm, R axis ± 0.05 ° ;

Driving mode: X/Y/Z axis servo motor, R axis stepping motor;

Transmission mode: X/Y/Z axis ball screw; R axis motor direct drive

Applicable tin wire diameter: 0.5/0.6/0.8/1.0/1.2/1.6 mm (radio);

Tin feeding speed: 0-50mm/s;

Temperature control: normal temperature -550°C;

Temperature control accuracy: ± 5 °C (no air flow, no load);

Program storage: more than 100 groups;

Gas source: 0.4 ~ 0.6 Mpa;

Power source: 220V 50Hz;

Safety protection: optional protective cover + safety grating

For Any Technical Questions, Please Contact at
info@nodesus.com

Smoke exhaust mechanism: smoke exhaust port (equipped with the equipment), optional smoke purification system

