



Control



Drive



Sensor



M&E



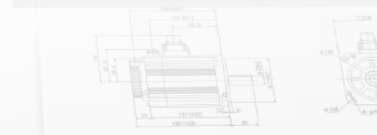
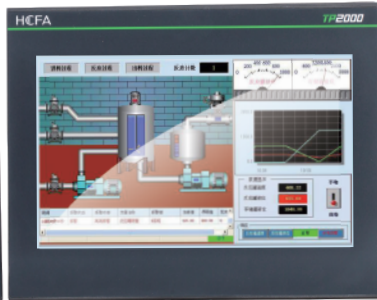
Info.



CREATE A BETTER LIFE THROUGH OUR WORK 

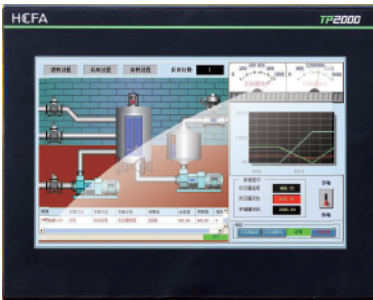
# HMI

# TP2000<sup>series</sup> Touch Screen

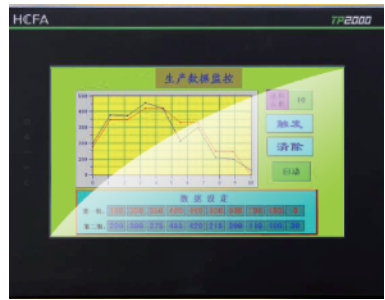


# TP2000

Meet your needs in more occasions



**TP2510** 10.1'' touch screen



**TP2507** 7'' touch screen



**TP2504** 4.3'' touch screen

## Personalized Service

New upgrade for TP1000 series, Performance greatly improved for TP2000 series  
More beautiful product appearance, more stable performance, more functions to meet customers' requirements in different applications.



### Performance

ARM platform, Higher performance,  
50% improved compared  
to last generation products



### Interfaces

Ethernet, communication port,  
USB and SD card supported



### Easy-to-use

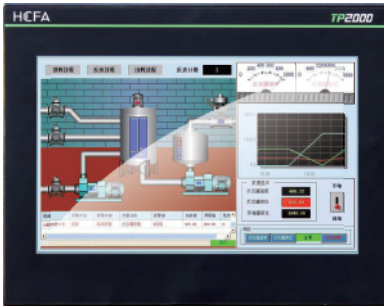
New configuration software-HCT Designer,  
make the operation much easier



### Size

Full range of sizes,  
exquisite appearance  
and easy to install

# TOUCH SCREEN

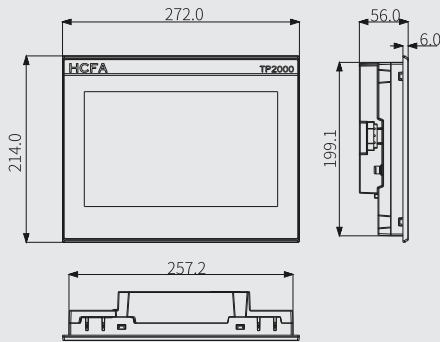


## TP2510

10.1" touch screen

HTEVISUAL

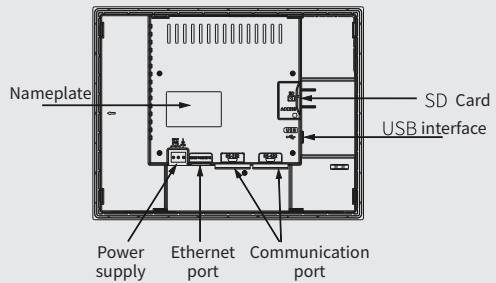
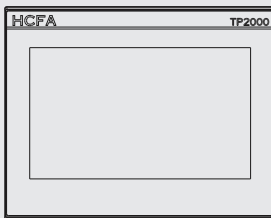
### Appearance size



Cutout dimensions : 258.2(W) × 200.1(H)

unit:mm

### Spare parts name



### Appearance size

Parameters	TL2510	TP2510	TP2510-E
Color display	24bit	24bit	24bit
Ethernet	×	×	✓
SD card	×	✓	✓
USB HOST	✓	✓	✓
USB DEVICE	✓	✓	✓
COM1/COM3	✓	✓	✓
COM2/COM4	×	✓	✓
Isolated power supply	Non-isolated power Surge protection	Isolated power Surge protection	Isolated power Surge protection

### Appearance size

#### Electrical specification

Power Consumption	<10W
Rated voltage	24VDC, Input Range: 18V~28VDC
Power protection	Isolated power supply block, Protect from surging and thunder strike
Allowable momentary power-off	<5mS
CE	Complied with EN61000-6-2:2005, EN61000-6-4:2007

#### RoHS

Surge Immunity ±4KV, EFT: ±4KV, ESD: 4KV, Air: 8KV

#### Electrical specification

Operation Temperature	0~50°C
Storage Temperature	-20~60°C
Operation Humidity	10~90%RH(Without condensation)
Vibration Resistance	10~25Hz (2G/30min in X,Y,Z direction)
Cooling	Natural air cooling

#### Others

Protection Level	Front IP65(With NEMA Panel), Back IP20
Housing Material	PBT+PC
Cutout Dimension	258.2×200.1 (mm)
Dimension	272×214×56 (mm)
Weight	About 1300g

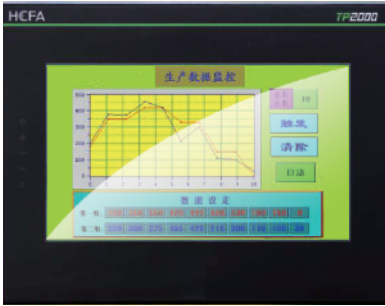
#### Hardware specification

Display	10.1" TFT LCD
Resolution	800×480
Color	24bit
Brightness	300 cd/m <sup>2</sup>
Backlight	LED
LCD lifetime	50000 hours
Touch Panel	4 wire resistive touch panel(Surface hardness 4H)
CPU	600MHz ARM Cortex A8
Memory	128M Flash + 128M DDR3
RTC	Built in real-time clock
Ethernet	10M/100M Ethernet port
USB Port	1↑USB Device 2.0 Ethernet port 1↑USB Host 2.0
Program Download	USB Host/ USB Slave/ SD card/ Ethernet are provided.
COM port	COM1/COM2: RS232/RS485/RS422; COM3/COM4: RS232

#### Accessories

TP16-PLC-R4-8P-3M	Communication line between TP2000 series HMI and HCFA PLC, RS422, Round 8PIN, 3M
TP16-PLC-R2-9S-3M	Communication line between TP2000 series HMI and 232, RS232, 9PIN serial port(female), 3M

# TOUCH SCREEN

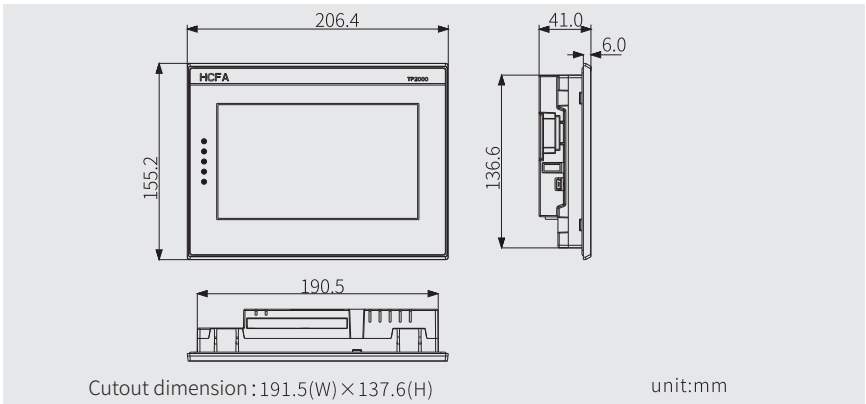


## TP2507

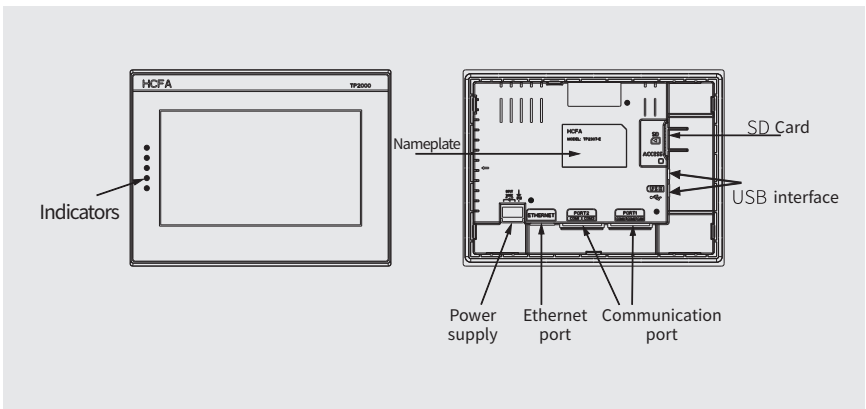
7" touch screen

HTEVISUAL

### Appearance size



### Spare parts name



## Appearance size

Parameter	TL2507	TP2507	TP2507-E
Color display	24 bit	24bit	24 bit
Ethernet	×	×	✓
SD card	×	✓	✓
USB HOST	✓	✓	✓
USB DEVICE	✓	✓	✓
COM1/COM3	✓	✓	✓
COM2/COM4	×	✓	✓
Isolated power supply	Non-isolated power Surge protection	Isolated power Surge protection	Isolated power Surge protection

## Appearance size

### Electrical specification

Power Consumption	<7W
Rated voltage	24VDC, Input Range: 18V~28VDC
Power protection	Isolated power supply block, Protect from surging and thunder strike
Allowable momentary power-off	<5mS
CE	Complied with EN61000-6-2:2005, EN61000-6-4:2007
RoHS	Surge Immunity ±4KV, EFT: ±4KV, ESD: 4KV, Air: 8KV

### Electrical specification

Operation Temperature	0~50°C
Storage Temperature	-20~60°C
Operation Humidity	10~90%RH (Without condensation)
Vibration Resistance	10~25Hz (2G/30min in XY,Z direction)
Cooling	Natural air cooling

### Others

Protection Level	Front IP65 (With NEMA Panel), Back IP20
Housing Material	PBT+PC
Cutout Dimension	191.5 × 137.6 (mm)
Dimension	206.4 × 155.2 × 41.0 (mm)
Weight	About 900g

### Hardware specification

Display	7" TFT LCD
Resolution	800 × 480
Color	24bit
Brightness	300 cd/m <sup>2</sup>
Backlight	LED
LCD lifetime	50000 hours
Touch Panel	4 wire resistive touch panel (Surface hardness 4H)
CPU	600MHz ARM Cortex A8
Memory	128M Flash + 128M DDR3
RTC	Built in real-time clock
Ethernet	10M/100M Ethernet port
USB Port	1个 USB Device 2.0 Ethernet port 1个 USB Host 2.0
Program Download	USB Host/ USB Slave/ SD card/ Ethernet are provided.
COM port	COM1/COM2: RS232/RS485/RS422; COM3/COM4: RS232

### Accessories

TP16-PLC-R4-8P-3M	Communication line between TP2000 series HMI and HCFA PLC, RS422, Round 8PIN, 3M
TP16-PLC-R2-9S-3M	Communication line between TP2000 series HMI and 232, RS232, 9PIN serial port (female), 3M

# TOUCH SCREEN

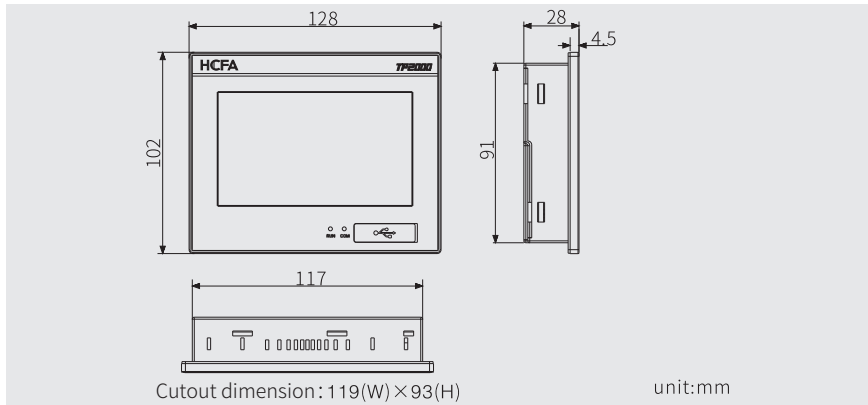


## TP2504

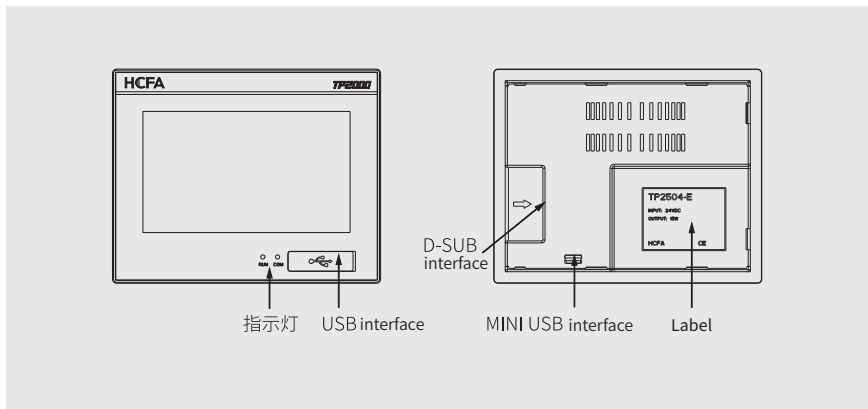
4.3' touch screen

HTEVISUAL

### Appearance size



### Spare parts name





## Appearance size

Parameter	TP2504-E
Color display	24 bit
Ethernet	✓
SD card	✗
USB HOST	✓
USB DEVICE	✓
COM1/COM3	✓
COM2/COM4	✗
Isolated power supply	Non-isolated power Surge protection

## Appearance size

### Electrical specification

Power Consumption	<5W
Rated voltage	24VDC, Input Range: 18V~28VDC
Power protection	Non-isolated power supply, Protect from surging and thunder strike
Allowable momentary power-off	<5mS

CE Complied with EN61000-6-2:2005, EN61000-6-4:2007

RoHS Surge Immunity ±4KV, EFT: ±4KV, ESD: 4KV, Air: 8KV

### Electrical specification

Operation Temperature	0~50°C
Storage Temperature	-20~60°C
Operation Humidity	10~90%RH(Without condensation)
Vibration Resistance	10~25Hz (2G/30min in XY,Z direction)
Cooling	Natural air cooling

### Others

Protection Level	Front IP65(With NEMA Panel), Back IP20
Housing Material	PBT+PC
Cutout Dimension	119×93 (mm)
Dimension	128×102×28 (mm)
Weight	About 260g

### Hardware specification

Display	4.3" TFT LCD
Resolution	800×480
Color	24bit
Brightness	300 cd/m <sup>2</sup>
Backlight	LED
LCD lifetime	50000 hours
Touch Panel	4 wire resistive touch panel(Surface hardness 4H)
CPU	600MHz ARM Cortex A8
Memory	128M Flash + 128M DDR3
RTC	Built in real-time clock
Ethernet	10M/100M Ethernet port
USB Port	1↑USB Device 2.0 Ethernet port 1↑USB Host 2.0
Program Download	USB Host/ USB Slave/ SD card/ Ethernet are provided.
COM port	COM1/COM2: RS232/RS485/RS422; COM3/COM4: RS232

### Accessories

TP16-PLC-R4-8P-3M	Communication line between TP2000 series HMI and HCFA PLC, RS422, Round 8PIN, 3M
-------------------	--